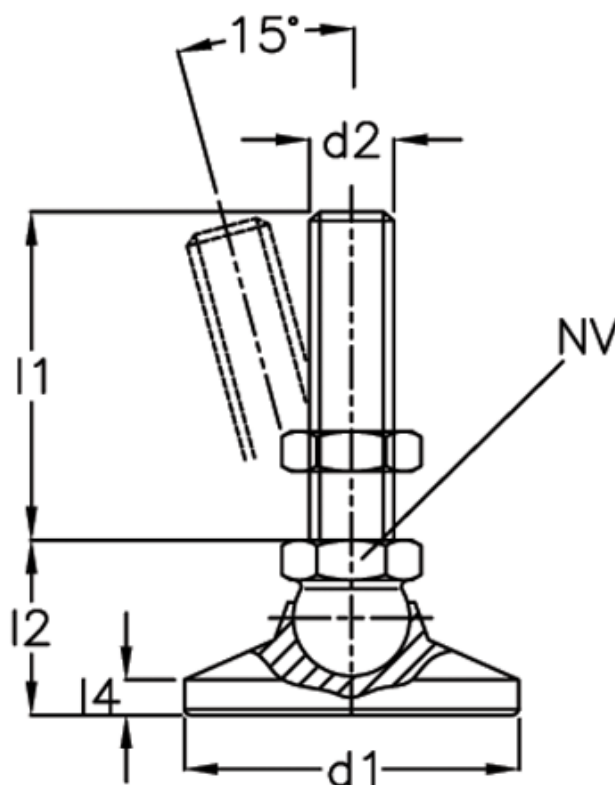


Article number: 20343240M1063KS
Description: E+G Levelling foot
GN 343.2-40-M10-63-KS
Note: 0

Measures



$d1 = 40$
 $d2 = M10$
 $l1 = 63$
 $l2 = -$
 $l3 = 27.5$
 $l4 = -$
 $l5 = 7.5$
 $NV = 15$

Static load = 23
Weight in (g) = 165